

操作手冊



SAM

2.2KW 5.5KW



SHANGHAI HANBELL PRECISE MACHINERY CO.,LTD.

108

TEL/FAX:021-57350280/021-51368588
<http://www.hanbell.com.cn>

E-mail:hanbell-sales@hanbell.cn





12

12

Thank you for using Hanbell products.

All Hanbell products are through quality and performance control tests prior to delivery. However, the guaranty period for oil-free scroll air end is based on the product within 12 months after the completion of installation and commissioning at the first job-site or within 12 months from the date of delivery from the Hanbell



,



操作手冊

| | | |
|-----|-------|----|
| 1 | | 5 |
| 1.1 | | 5 |
| 1.2 | | 5 |
| 1.3 | | 5 |
| 1.4 | | 7 |
| 1.5 | | 7 |
| 2 | | 7 |
| 2.1 | | 7 |
| 2.2 | | 7 |
| 2.3 | | 7 |
| 2.4 | | 8 |
| 3 | | 9 |
| 3.1 | | 9 |
| 3.2 | | 9 |
| 3.3 | | 9 |
| 3.4 | | 10 |
| 4 | | 11 |
| 4.1 | | 11 |
| 4.2 | | 11 |
| 4.3 | | 11 |
| 4.4 | | 11 |
| 4.5 | | 12 |
| 4.6 | | 12 |
| 4.7 | | 15 |
| 5 | | 16 |
| . | | 17 |



操作手冊

1

1.1

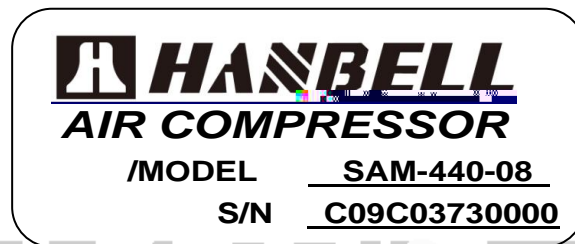
SAM-285 SAM-440 SAM-700

SAM-440-08 SAM 440 L/min 08

bar.g

S/N

1.2



1.3

1.3.1

- A.
- B.
- C.

1.3.2

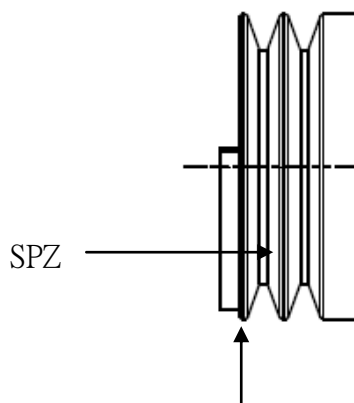
A.



B.

—

:



- V DIN7753 PART1 / ISO 4184
- ISO 1940-G6.3 VDI2060-Q6.3 ISO 8821 “ ”
- DIN 2211 GB/T

13575.1-2008



- 180

- 0.02mm

-
-

C.

0.2m

15m

0~40

50%

6

操作手冊

1.4

SAM “ ”

1.5

2

2.1.



2.2.

- GB/T 6388
- GB/T 13384
- GB/T 3853
- GB/T 15847
- JB 8524
- GB/T 7777
- GB/T 4980
- JB/T 6441

2.3.

2.4.



“

”

“

”



HANBELL



操作手冊

3

3.1

" " 3HP 30HP " "

1

SAM-440

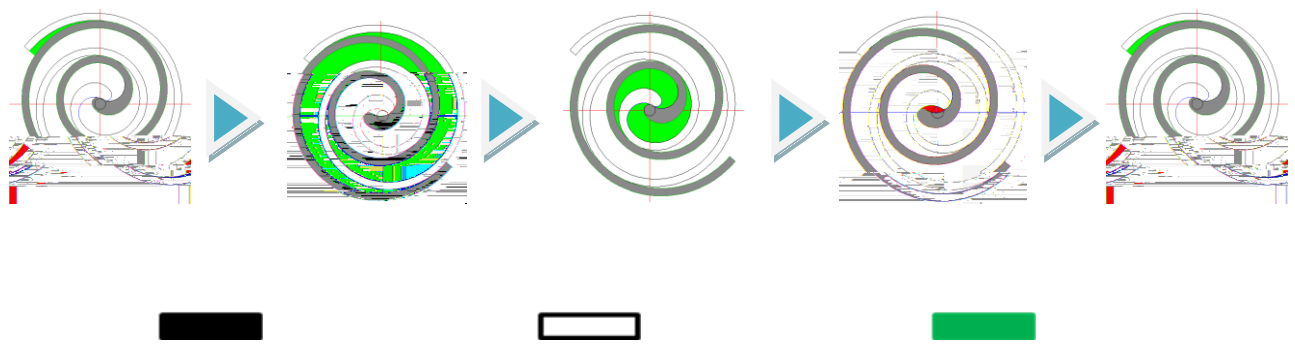
SAM-700



3.2

3.3

2



3.4

Oil-free scroll air end technical data

| Model | Shaft power | Rated pressure | Air displacement | Exhaust interface | Speed | Noise value | Outline size | Weight |
|---------|-------------|----------------|------------------|-------------------|-------|-------------|--------------|--------|
| | KW | Mpa | L/min | inch | r/min | dB(A) | mm | kg |
| SAM-285 | 2.2 | 0.8 | 250 | PT3/8" | 2840 | 64 | 270x300x265 | 15.5 |
| | 2.4 | 1.0 | 215 | | 2400 | | | |
| SAM-440 | 3.75 | 0.8 | 410 | PT1/2" | 3050 | 65 | 347x330x295 | 19.5 |
| | 4.4 | 1.0 | 355 | | 3000 | | | |
| SAM-700 | 5.5 | 0.8 | 570 | PT3/4" | 2950 | 66 | 335x381x357 | 31.5 |
| | 6.0 | 1.0 | 490 | | 2650 | | | |



4.

4.1

| | | | | | |
|---|-----------------|---------|---------|-------|-------|
| 1 | | | ± 5% | | 3% |
| 2 | | | | | |
| 3 | 600 | | | | |
| | KW | 1.1~1.5 | 3.7~5.5 | 11~15 | 22~30 |
| | MM ² | 2~2.5 | 4 | 6~10 | 25 |
| 4 | | 100 | | | |

4.2

| | | | | | |
|---|--|------|--|--|-----|
| 1 | | | | | |
| 2 | | 0 40 | | | |
| 3 |  | | | | 0.6 |
| 4 | | | | | |

4.3

- 1
- 2
- 3
- 4

4.4

- 1
- 2
- 3
- 4
- 5
- 6 " "
- 7 " " 1~2s " "

操作手冊

8

9

10

11

4.5

1

2

OMPa

3

OMPa

4



4.6

1

2

3

4

1

GB/T14295-2019

99%

500

1500~2500

2

3

4

5

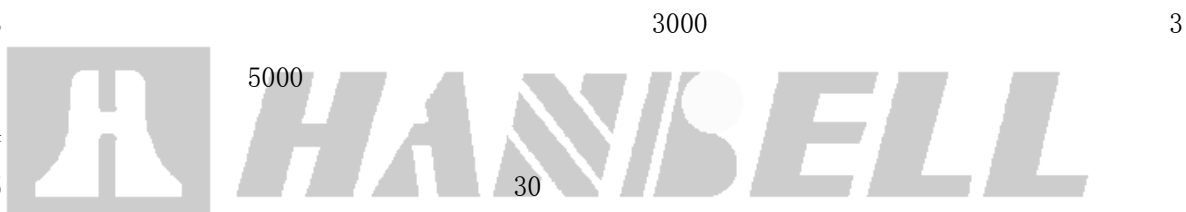
1

2

3

4

5



0.8MPa

+45

| | | 500 | 2500 | 5000 | 10000 | 15000 | 20000 | |
|--|--|-----|------|------|-------|-------|-------|-------|
| | | 2 | | 2 | 4 | 6 | 8 | |
| | | | | | | | | 3500h |
| | | | | | | | | |
| | | | | | | | | |
| | | | | | | | | |
| | | | | | | | | |
| | | | | | | | | 2500h |
| | | | | | | | | 6 |
| | | | | | | | | |

| | | 500 | 2500 | 5000 | 10000 | 15000 | 20000 | |
|--|--|-----|------|------|-------|-------|-------|-------|
| | | 2 | | 2 | 4 | 6 | 8 | |
| | | | | | | | | 2500h |
| | | | | | | | | 2500h |
| | | | | | | | | |
| | | | | | | | | |
| | | | | | | | | |
| | | | | | | | | |
| | | | | | | | | 2500h |
| | | | | | | | | 6 |
| | | | | | | | | |



4.7

| | | |
|--|---|---|
| | | |
| | <ol style="list-style-type: none">1.2.3.4.5.6.7.8. | <ol style="list-style-type: none">1.2.3.4.5.6.7.8. |
| | <ol style="list-style-type: none">1.2.3.4.5. | <ol style="list-style-type: none">1.2.3.4.5. |
| | <ol style="list-style-type: none">1.2.3.4. | <ol style="list-style-type: none">1.2.3.4. |
| | <ol style="list-style-type: none">1.2.3.4. | <ol style="list-style-type: none">1.2.3.4. |
| | <ol style="list-style-type: none">1.2.3.4.5.6. | <ol style="list-style-type: none">1.2.3.4.5.6. |
| | <ol style="list-style-type: none">123 | <ol style="list-style-type: none">123 |

1

a.

b.

c.

2

a.

b.

c.

3

a.

b.

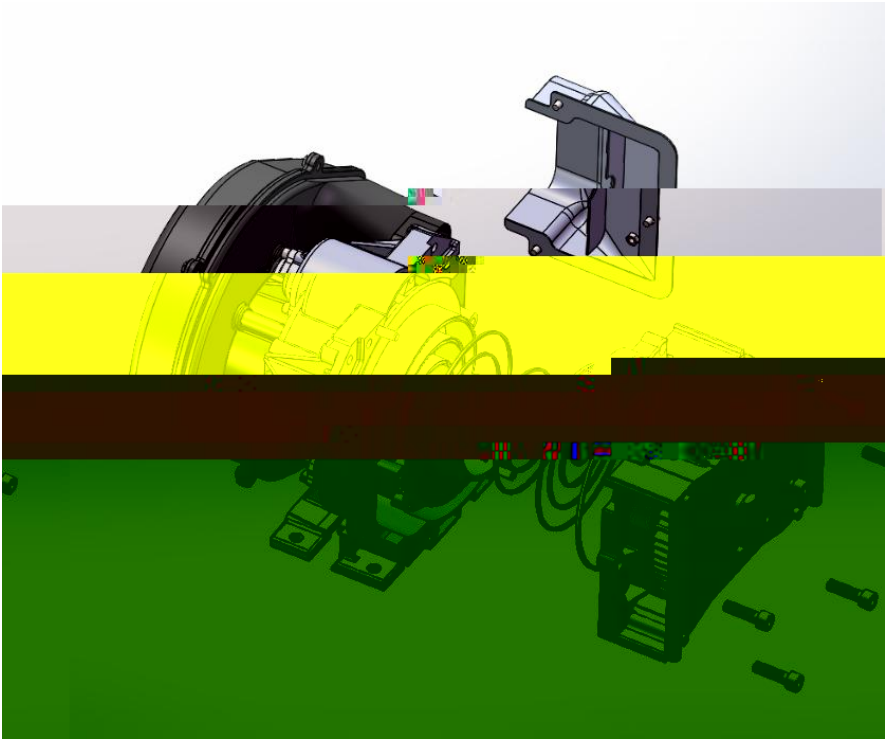
c.

4



5







:400-770-2158

Tel:021-5735-0280
Fax:021-5136-8588

